

Components for connection to meter
Bush

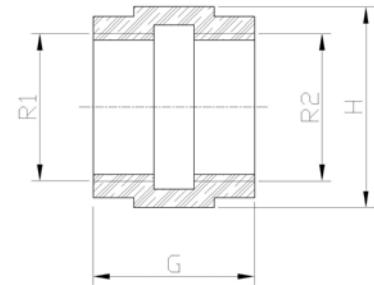
Ref.	Application	PN	Valve connection		Meter connection						
			DN		LL13	1/2"	3/4"	7/8"	1"	1 1/4"	1 1/2"
BH401	Bushes for connecting the entry and exit valves to the full range of meter threads	16	13	LL13 left	•	•	•	•	•		
			20	1" left	•		•	•	•	•	•

Specifications

Bush with left-hand thread for connection to valve and right-hand thread for connection to meter in same body. Its design allows a reduction in space required for the assembly. It incorporates an interior seal that provides perfect leak-tightness for the installation. It makes it very easy and simple to maintain and replace any meter.

- Body** made of pressed brass CW617N in accordance with UNE-EN 12165.
- Interior seal** made of EPDM in accordance with UNE-EN 681-1.

Valve connection (R1)	Meter connection (R2)													
	LL13		1/2"		3/4"		7/8"		1"		1 1/4"		1 1/2"	
	G	H	G	H	G	H	G	H	G	H	G	H	G	H
LL13 left	24	30	24	30	24	30	23	30	25	38				
1" left	23	30			23	30	23	38	22	38	27	38	30	38

Ref. BH401

Tubing nut Bush

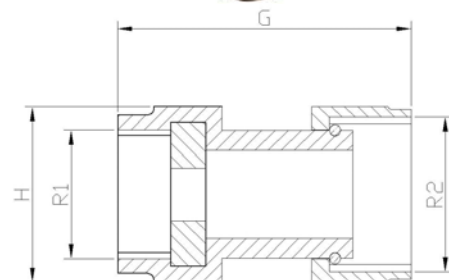
Ref.	Application	PN	Valve connection		Meter connection						
			DN		LL13	1/2"	3/4"	7/8"	1"	1 1/4"	1 1/2"
BH425	Bushes for connecting the meter to entry and exit valves	16	13	LL13 left			•	•	•		
			20	1" left				•	•	•	

Specifications

Bush with left-hand thread for connecting to valve and tubing nut for meter connection. It incorporates an interior seal that provides perfect leak-tightness for the installation. It facilitates the maintenance and replacement of any meter.

- Body** made of pressed CW617N brass in accordance with UNE-EN 12165.
- Interior seal** made of EPDM in accordance with UNE-EN 681-1.

Valve connection (R1)	Meter connection (R2)													
	LL13		1/2"		3/4"		7/8"		1"		1 1/4"		1 1/2"	
	G	H	G	H	G	H	G	H	G	H	G	H	G	H
LL13 left					50	30	50	30	50	38				
1" left							50	38	22	38	50	38		

Ref. BH425


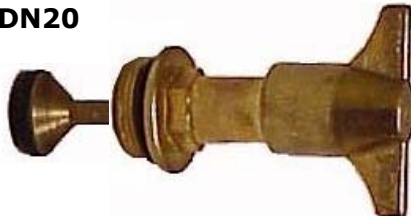
Frames for valve and non-return devices
Manual frames

Ref.	Application	Dimension (DN)	With EPDM non-return device	With metal non-return device and EPDM seal	With vulcanised metal core non-return device	Without non-return device
BH403	For entry valves: <i>BH101, BH102, BH105, BH106</i>	13	•			
		20		•		
BH417	For exit valves: <i>BH201, BH202, BH205, BH206</i>	13				•
		20				•
BH418		13			•	

Ref. BH403
DN13

Ref. BH417
DN13

Ref. BH418
DN13

DN20

DN20

Manual frame for vertical exit

Ref.	Application	Dimension (DN)	With vulcanised metal core non-return device
BH439	For exit valves <i>BH207 and BH208</i>	13	•
		20	•

Ref. BH439
DN13

DN20

Non-return devices

Ref.	Application	Dimension (DN)	With EPDM non-return device	With vulcanised metal core non-return device	With metal non-return device and EPDM seal
BH404	<i>BH101, BH102, BH105, BH106, BH201, BH202, BH205, BH206</i>	13	•		
BH405		13		•	
BH436	<i>BH103, BH107, BH109</i>	20			•
		13		•	
		20		•	

Ref. BH404

DN13
Ref. BH405

DN13

DN20
Ref. BH436

DN13

DN20

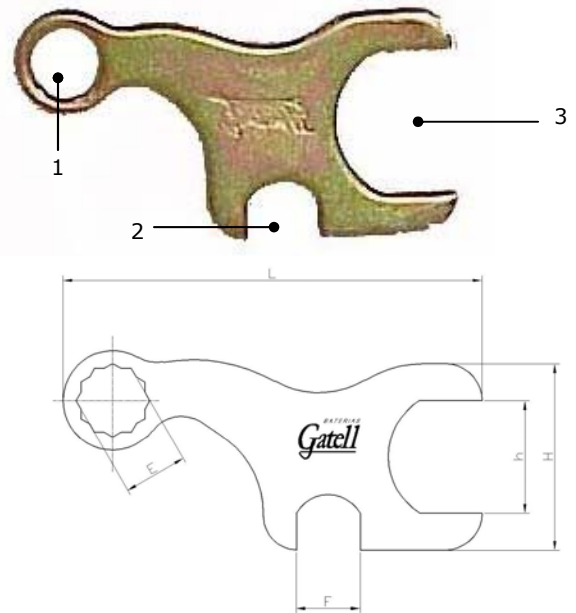
Valve accessories
Adjustable wrench

Ref.	Application	Dimensions DN
BH411	Tool for installing and removing sets of Gatell valves and their accessories	13
		20

Specifications

This wrench is made of 7-mm thick F-114 (F5) tempered steel and is designed for the installation and removal of entry and exit valves to the meter as well as their associated accessories. It has been ergonomically designed to facilitate its use.

- Star mouth**, for use with the screws (Ref. BH407) that join the entry valve billets to tBush on the bank.
- Small fixed mouth**, for use with the frames and the recording body of the automatic threaded exit valve (Ref. BH203).
- Large fixed mouth**, for use with Bushes and tubing nut Bushes for meter connection.

Ref. BH411


Ref.	DN	L (mm)	h (mm)	H (mm)	F (mm)	E (mm)
BH411	13	113.5	30.5	50.5	17.3	50.5
	20	115	38.3	60	19.3	17.3

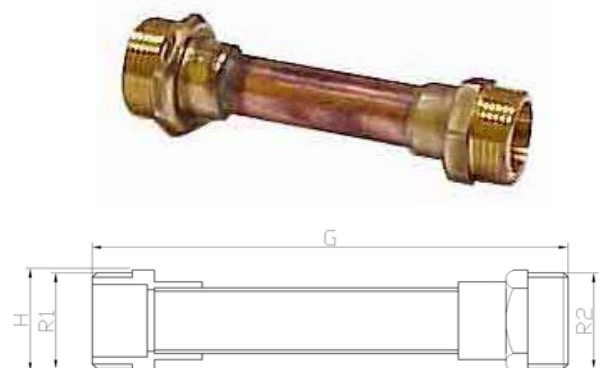
Free bore

Ref.	Application	Dimensions
BH013	Auxiliary component for checking installations when there is no meter.	3/4" - 3/4"
		7/8" - 3/4"
		1" - 1"

Specifications

Free bore that makes it possible check interior water supply installations when there is no meter, in accordance with current basic legislation.

The threads at the ends of the free bore must be connected to the respective Bushes on the entry and exit valve connections to the meter.

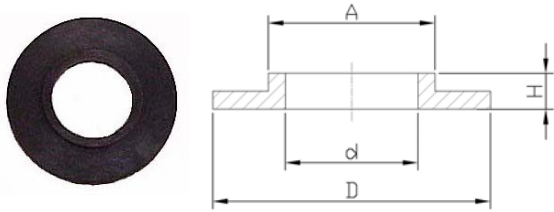
Ref. BH013


Ref.	Dimensions		G (mm)	H (mm)
	R1	R2		
BH013	3/4"	3/4"	130	27
	7/8"	3/4"	130	34
	1"	1"	180	33.3

Spare parts for valve

Entry valve seal

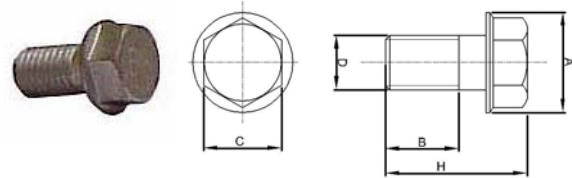
Ref.	Application	Dimension (DN)
BH406	Provides leak-tight seal between the entry valve billet and the bank.	13
		20



Ref.	DN	A (mm)	D (mm)	d (mm)	H (mm)
BH406	13	27.6	46	22	6
	20				

Entry valve screw

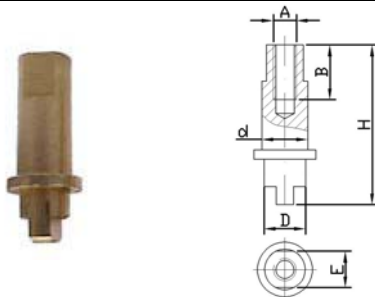
Ref.	Application	Dimension (DN)
BH407	Connection between the entry valve billet and the bank.	13
		20



Ref.	DN	A (mm)	B (mm)	C (mm)	D (mm)	H (mm)
BH407	13	22	16	17	M12	31
	20					

Operation shaft

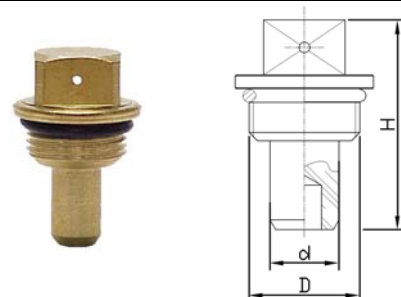
Ref.	Application	Dimension (DN)
BH415	Spare part for valves <i>BH111, BH112, BH113 and BH209</i>	13
		20



Ref.	Dim.	A (mm)	B (mm)	C (mm)	D (mm)	d (mm)	E (mm)	H (mm)
BH415	1/2"	M5	12	12	9	9	7	32
	3/4"	M5	12	13,5	10	9	8	35

Plug with automatic entry shaft

Ref.	Application	Dimension (DN)
BH421	Spare part for valves <i>BH103, BH107 and BH109</i>	13
		20



Ref.	DN	H (mm)	D (mm)	d (mm)
BH421	13	38	M20 x 1.5	10
	20	59	3/4"	10

Accessory/spare part for valve

Purge

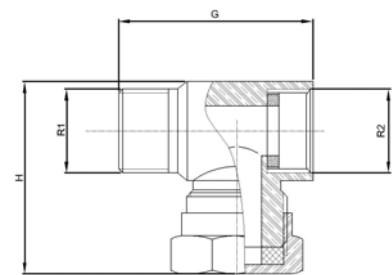
Ref.	Application	Dimension (DN)
BH408	For valves <i>BH201, BH202, BH203, BH205, BH207, BH208, BH209</i>	13
	For clave <i>BH201</i>	20*

Ref.	DN	G (mm)	H (mm)	R1 (mm)	R2 (mm)
BH408	13	51	50.50	LL13	M22
	20*	56	56.75	3/4"	3/4"

DN13



DN20*



* IMPORTANT: The part includes installation instructions.